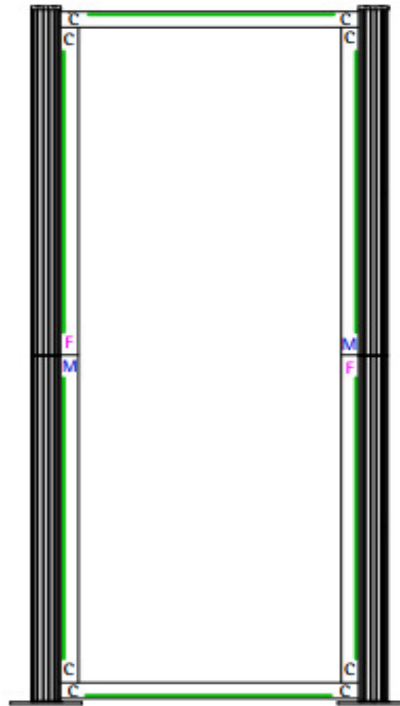


Centro 2 - Curved - "W750mm" Assembly-Instructions

Centro 2 (Curved - Modular Exhibition Display)

Components:

- 2x Base Plates
- 2x (Male) Connecting Posts at 1000mm
- 2x (Female) Connecting Posts at 1000mm
- 2x Curved Profile - 750mm Crossbars
- 4x Straight - (Internal Sections) - 950mm
- 8x Expanding Clamps



(Graphics Not Supplied)

Action 1 = PVC Banner (Taped Pockets)

Action 1 = PVC Banners

Magnetic Graphic Panels
Amount? = 1

1x W750mm x H1990mm
(Finished Print / Cut Size)

1x W750mm x H1990mm
(Visible Graphic Area)

Additional Items (Not Supplied)

To create the 1x PVC Banners

You will also require:

- 1x BANNER
- 1x 12M Roll of Magnetic Tape
- 1x 12M Roll of Steel Tape

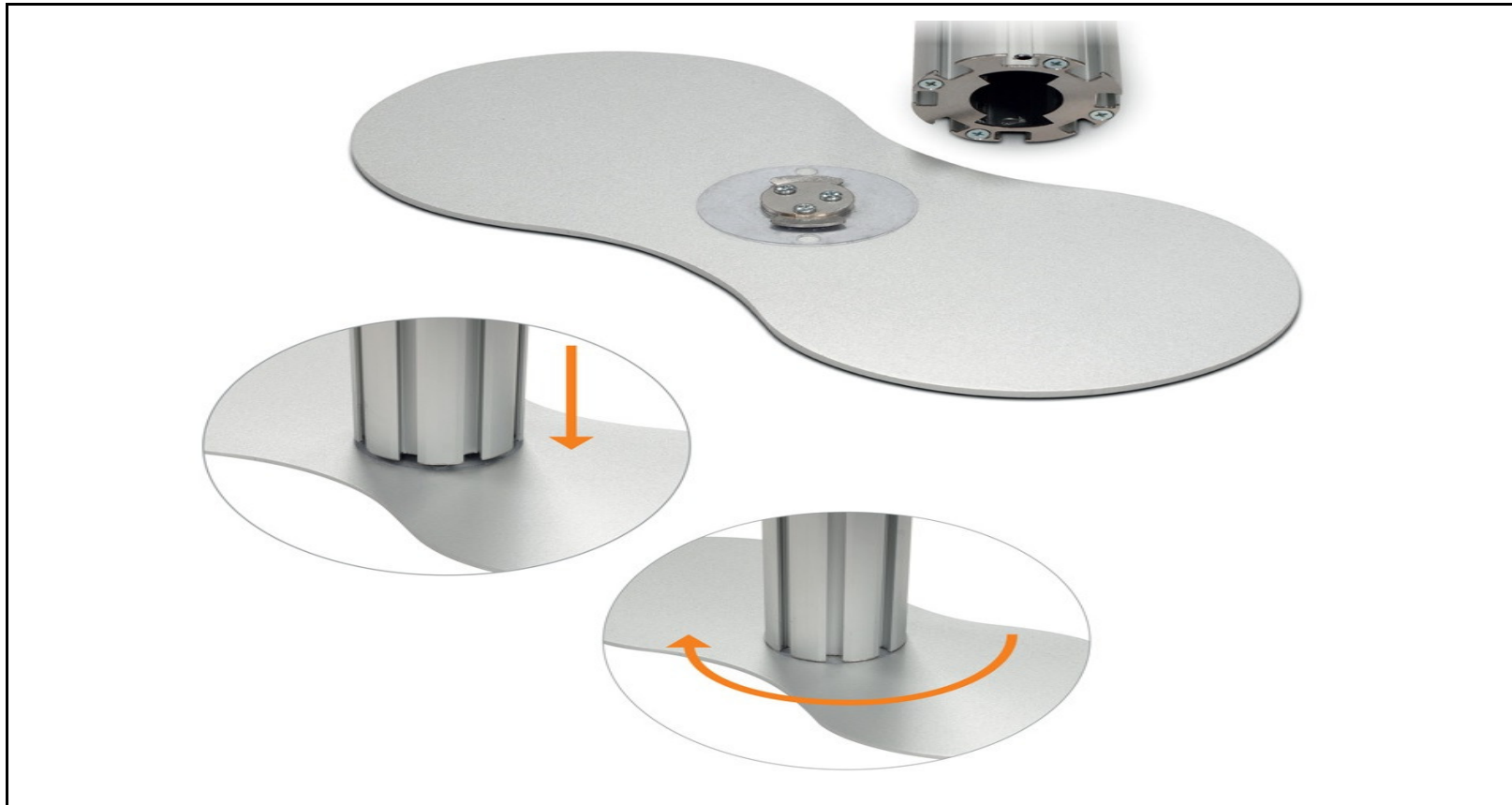
If you want us to create your Banners
Please make contact - Tel: 01244 371443

Centro 2 - Curved - "W750mm" Assembly-Instructions

Centro 2 (Curved - Modular Exhibition Display)

Step 1 - Assembly

1. Place "Base Plates" onto the floor
2. Push down 1x Post onto the base plate connector
3. Twist clockwise to lock into place
4. Repeat for other foot



Centro 2 - Curved - "W750mm" Assembly-Instructions

Centro 2 (Curved - Modular Exhibition Display)

Step 2 - Assembly

1. Affix Upper Post to Lower Posts
2. Push down Upper Post into Lower Post
3. Twist clockwise to lock into place
4. Repeat for other foot / post

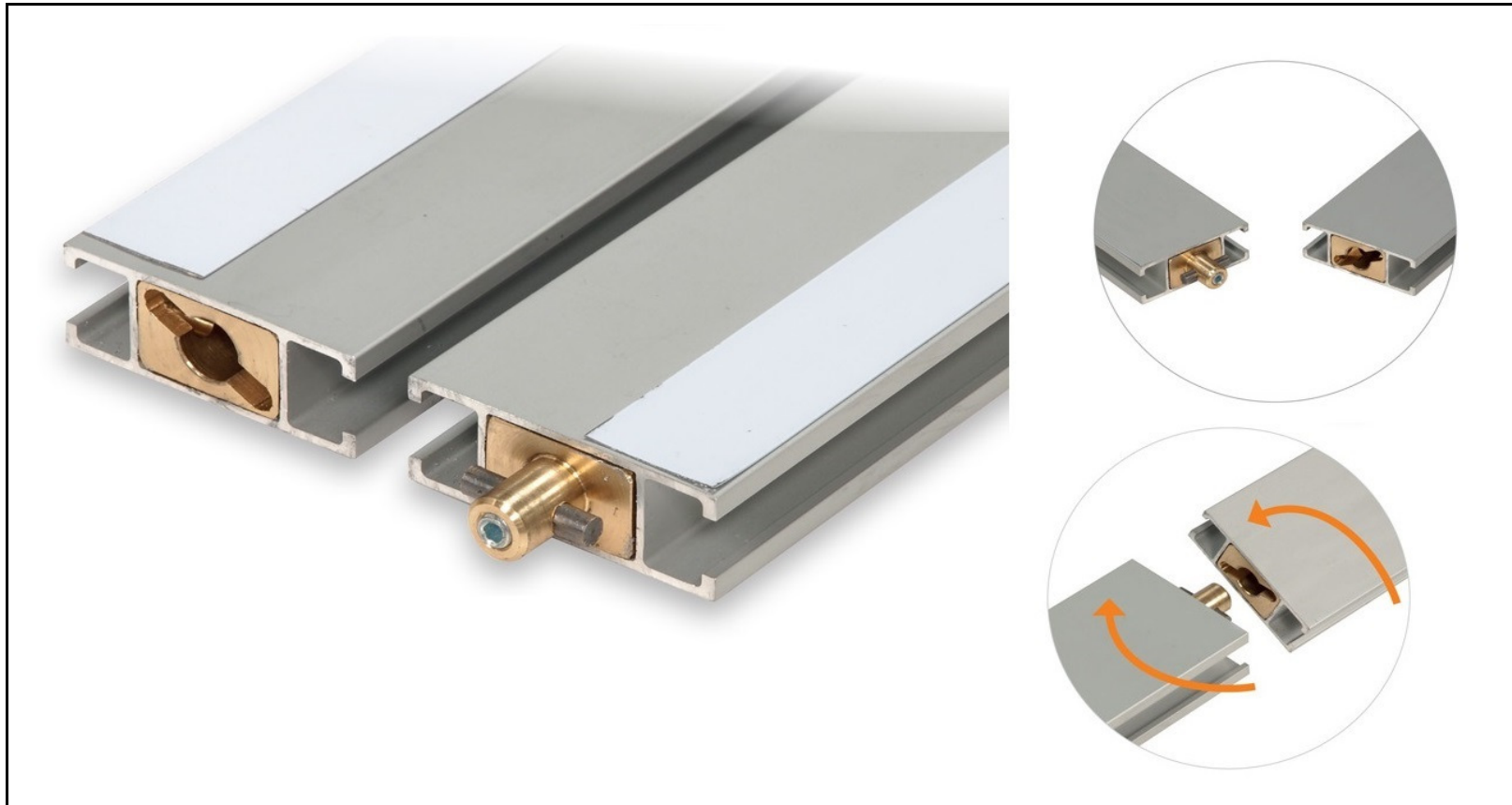


Centro 2 - Curved - "W750mm" Assembly-Instructions

Centro 2 (Curved - Modular Exhibition Display)

Step 3 - Assembly

1. Add the crossbar to the bottom post sections
2. Add the crossbar to the top post sections



Centro 2 - Curved - "W750mm" Assembly-Instructions

Centro 2 (Curved - Modular Exhibition Display)

Step 4 - Clamps + Posts

1. Slot clamps onto the post channels + Secure
2. Introduce the Horizontal crossbars (Bottom only)
3. Assistance is recommended!



Step 5 - Top Crossbar

1. With your assistant helping you
2. Connect the top crossbars
3. Also connecting the Internal Bars
4. Make finer adjustments



Step 6 - Internal Sections

1. Ensure your graphic panels have...
2. Magnetic Tape (all rear edges)
3. Now introduce graphic to the display

