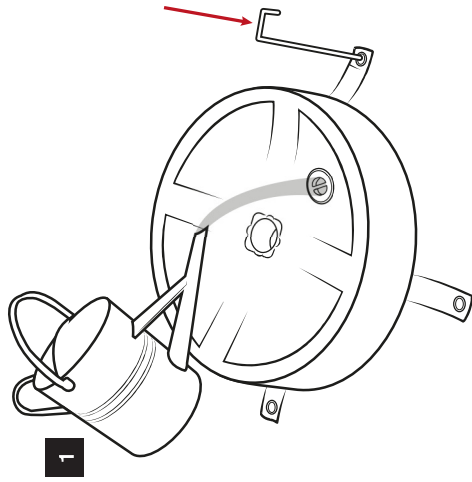
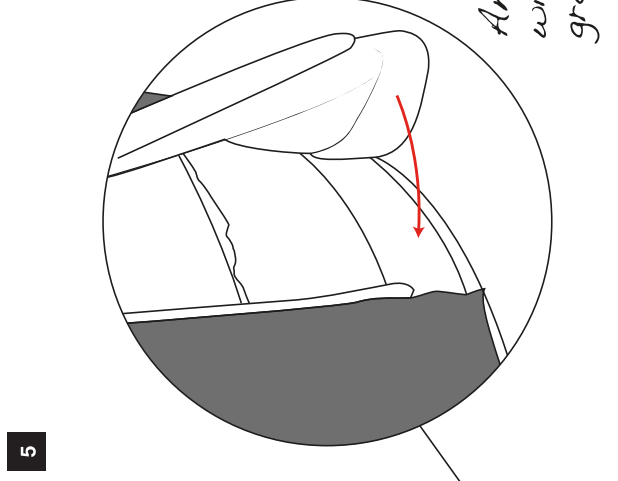
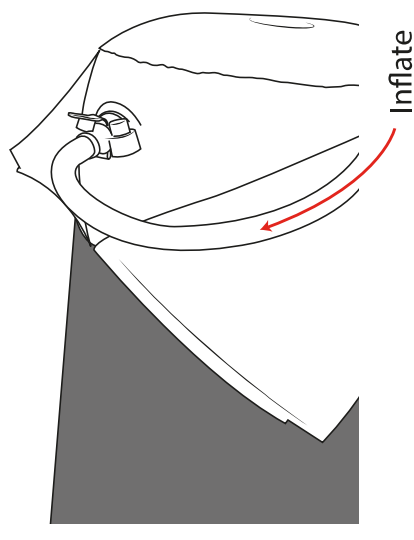
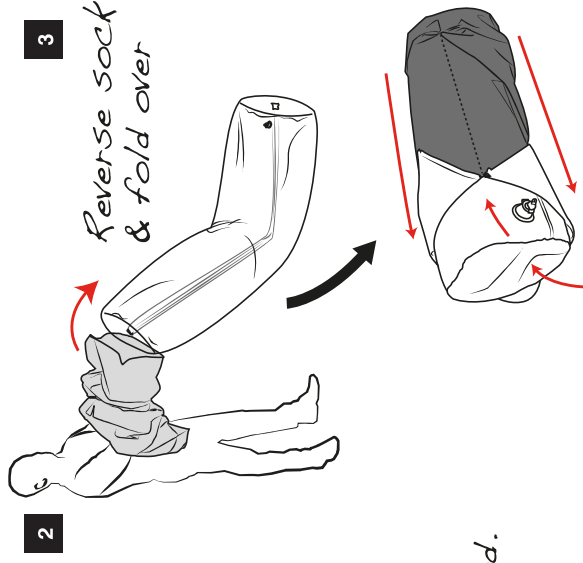
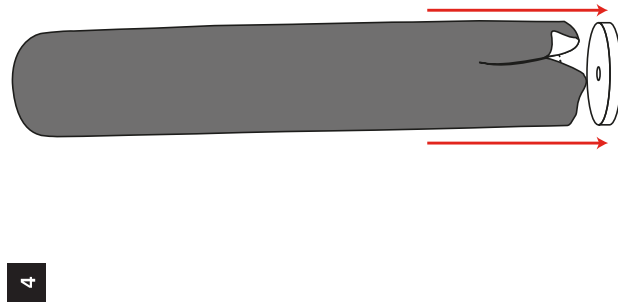


## Inflatable Column

Created 16/03/15



*Fill with 13L water or sand.  
Insert pegs into holes.*



**IMPORTANT NOTE:** Care should be taken during use of this product because extremes of temperature may cause the inflatable column to be either over or underinflated

**Disclaimer:** We are continually improving and modifying our product range and reserve the right to vary the specifications without prior notice. All dimensions and weights quoted are approximate