

Suspended Poster "Cable" Displayer - 500x700mm

Suspended Poster Displayer - 500x700mm

Description:

Combination, Flexible, Innovative, Multifunctional, Display Product
Designed to be utilised in "Single-Sided Format" OR as a "Double-Sided Format"



Suspended Poster Displayer - 500x700mm

Double-Sided Acrylics - max advertising!

2x Poster Acrylics = 4x Adverts

Designed for "Ease Of Usage"
Designed for "Poster Advertising"
Designed for "Double-Sided"

Also Includes:
3x A4 Brochure Holders
1x External Leg / Table Support

Advantages:

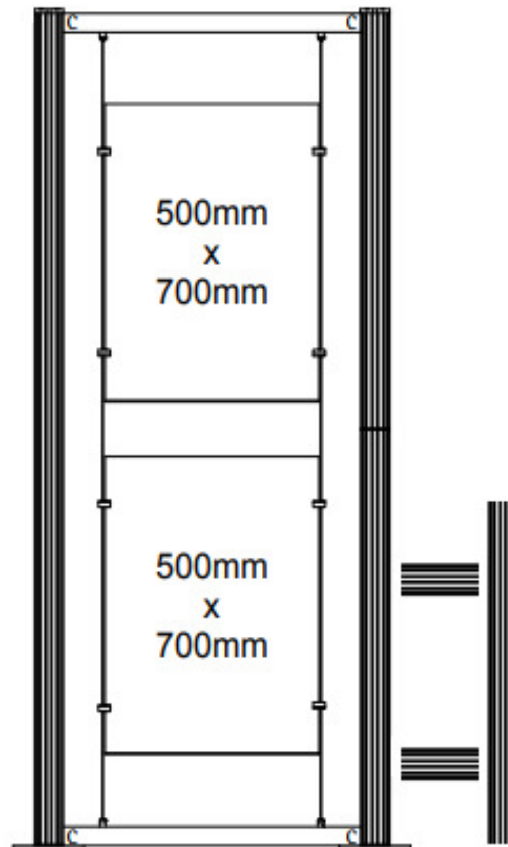
Double-Sided Acrylics - max advertising!
Table for displaying products
Can be set-up as a permanent display
Can be assembled quickly for Exhibition Events

Suspended Poster "Cable" Displayer - 500x700mm

Suspended Poster "Cable" Displayer - 500x700mm

Suspended Poster Displayer - 500x700mm

Components:



Parts

Description

4x 1000mm Posts

2x 750mm Crossbars

2x Base Plates

2x Cables

8x Single Cable Clamps

2x 500x700mm Poster Pockets

1x T-Handle 4mm Hex Key

2x Acrylic Post End Caps

4x Post Clamps

Tip:

Double-Sided

Double-Sided Poster Acrylic

Thus 2x Acrylics

Displays 4x Documents

Measurements:

Height = 2000mm (approx)

Width = 750mm (approx)

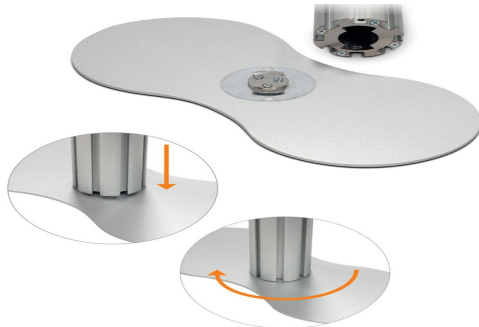
Suspended Poster "Cable" Displayer - 500x700mm

Suspended Poster "Cable" Displayer - 500x700mm

Suspended Poster Displayer - 500x700mm

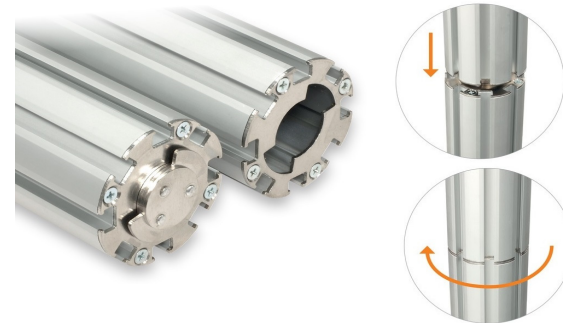
Step 1 - Base and Post (Lower)

1. Place "Base Plates" onto the floor
2. Push down 1x Post onto the base plate connector
3. Twist clockwise to lock into place



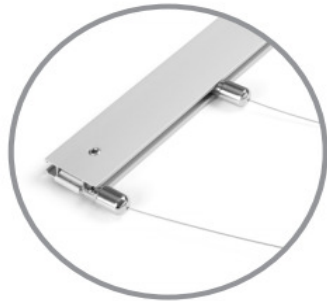
Step 2 - Post (Higher)

1. Affix Upper Post to Lower Posts
2. Push down Upper Post into Lower Post
3. Twist clockwise to lock into place



Step 3 - Fixing the Cable Slots

1. Refers to the TOP Crossbar
2. Lay the crossbar on a table / Floor
3. Introduce the "Fixing Slots" into the channel



Step 4 - Crossbar

1. Firmly holding the middle of the crossbar rail
2. Raise to the top of the display
3. Slot into post channel + secure into place
4. Repeat for other side of channel post



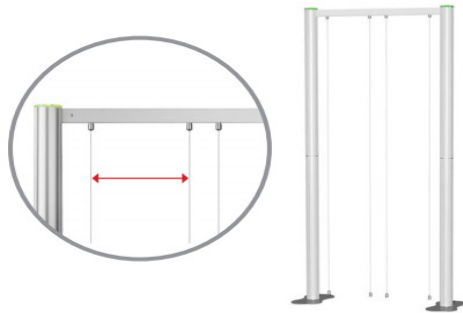
Suspended Poster "Cable" Displayer - 500x700mm

Suspended Poster "Cable" Displayer - 500x700mm

Suspended Poster Displayer - 500x700mm

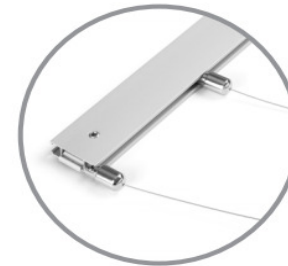
Step 5 - Positioning the Cables

1. Position the cables centrally along crossbar
2. Cable gaps are **555mm** (approx)
3. Warning - do not over tighten!



Step 6 - Fixing the Cable Slots

1. Refers to the BOTTOM Crossbar
2. Lay the crossbar on a table / Floor
3. Introduce the "Fixing Slots" into the channel
4. Ensuring they are parallel to those on the TOP



Step 7 - Tensioning the Cables

1. Tension cables by pulling bottom downwards
2. Secure to both posts by tightening the grub screws



Step 8 - Tensioning the Cables

1. Repeat step 7
2. Repeat for all cables



Suspended Poster "Cable" Displayer - 500x700mm

Suspended Poster "Cable" Displayer - 500x700mm

Suspended Poster Displayer - 500x700mm

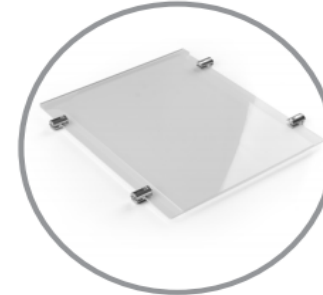
Step 9 - Chrome Connectors

1. Attach 4x Chrome connectors to each acrylic
2. Just slide them to each corner + tighten in place
3. Warning - **Do not over tighten!**



Step 10 - Chrome Connectors

1. Once step 9 has been completed
2. They should look like this image
3. Now repeat for all other acrylics



Step 11 - Chrome Connectors

1. Now remove all the side-grub-screws
2. Keep them handy as you will need them now



Step 12 - Connecting to the cables

1. Introduce the acrylic / connectors to the cable
2. Now replace the grub-screws and tighten in place
3. Tip - Before tightening check with a spirit level
4. Repeat process for all remaining acrylics



Suspended Poster "Cable" Displayer - 500x700mm

Suspended Poster "Cable" Displayer - 500x700mm

Suspended Poster Displayer - 500x700mm

Step 13 - (If Supplied) - Table Assembly - Part 1

1. Introduce the table to the post
2. Secure 4x screws - Do not over tighten!



Step 14 - (If Supplied) - Table Assembly - Part 2

1. Affix Table Leg to post leg
2. Position the 2x 220mm straight profiles
3. Secure using the expanding clamp grub screws



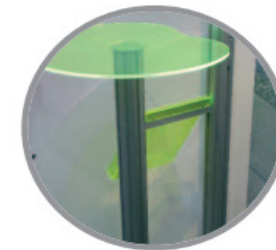
Step 15 - (If Supplied) - Leaflet Holders - Part 1

1. Locate 220mm straight profile into desired location
2. Insert into post channel
3. Secure into place - Do not over tighten!



Step 16 - (If Supplied) - Leaflet Holders - Part 2

1. Locate rear hook form of acrylic
2. Present over straight profile
3. Press into position - (no screws required)



Suspended Poster "Cable" Displayer - 500x700mm